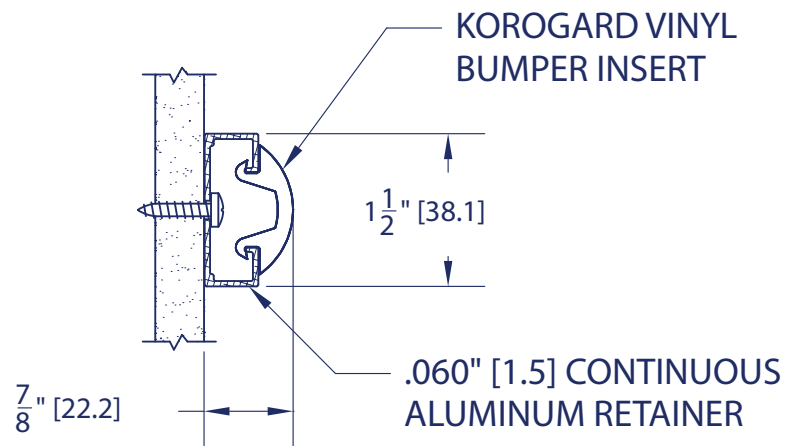


NOTE:

1. WRAPS OUTSIDE CORNER, MITRED INSIDE CORNER OR TERMINATE WITH END CAP.



B200, BUMPER GUARD

SCALE: 1:2