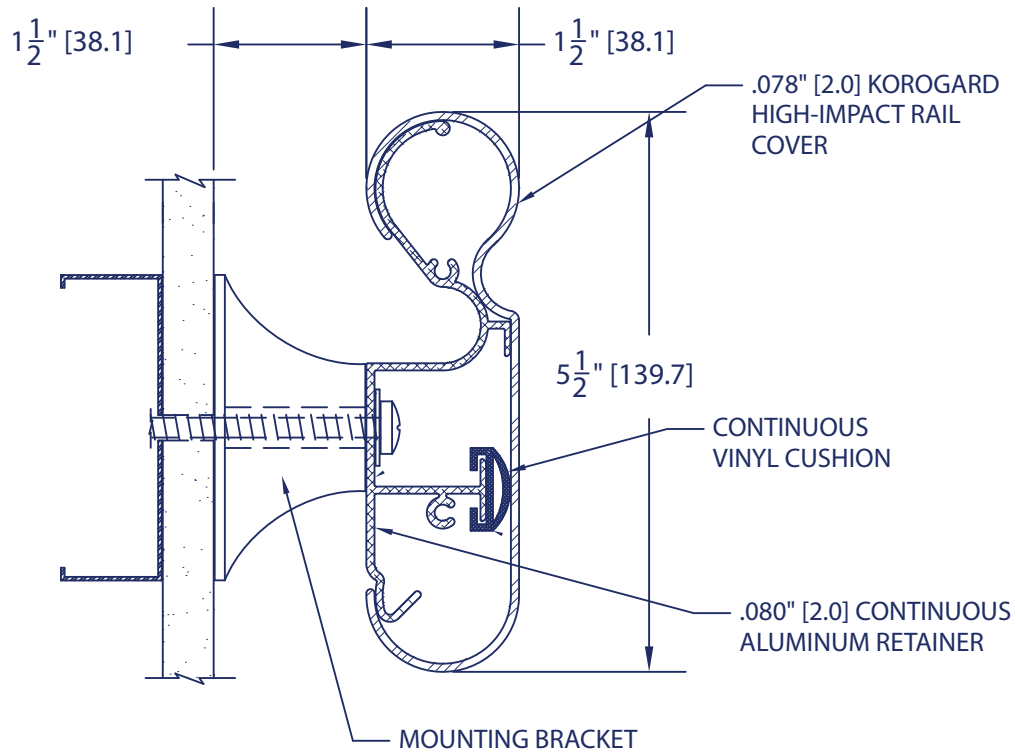


NOTE:

1. H200 REQUIRES ENDS AND/ OR CORNERS WITH REVEAL TO PROVIDE ENHANCED AESTHETICS.

2. H210 SIMILAR, DIFFERENCES, H210 IS TWO DIFFERENT COLORS - REQUIRES 500' MINIMUM REGARDLESS OF COLORS.



H200, HANDRAIL
SCALE: 1:2