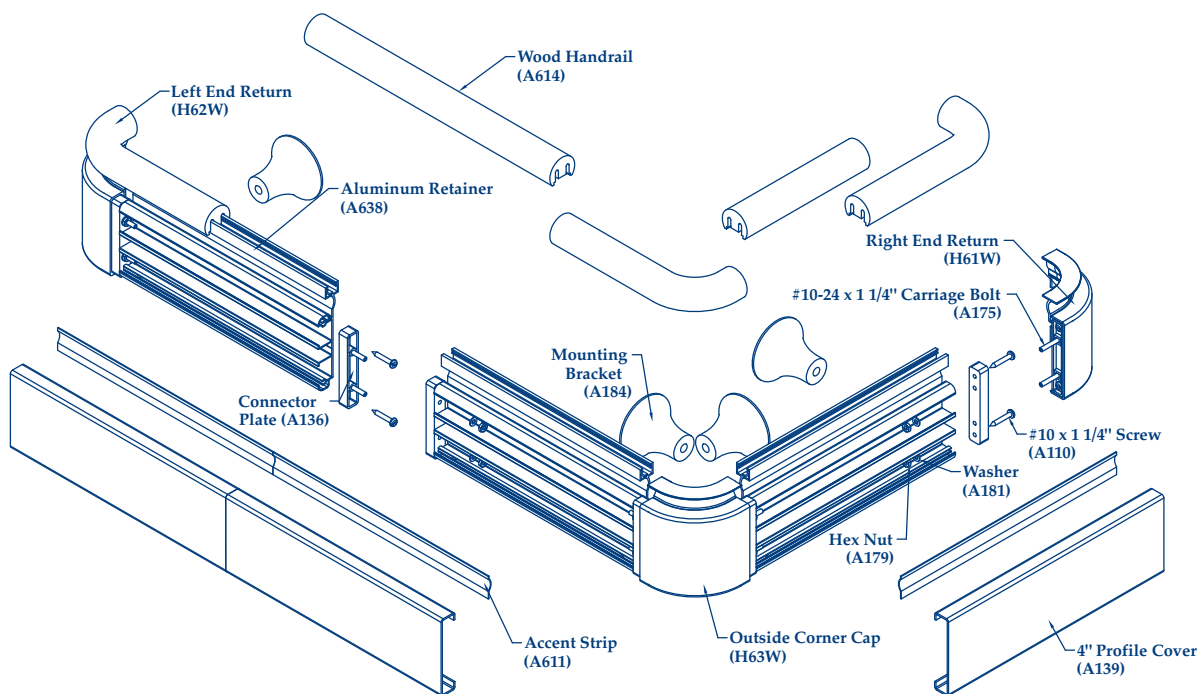


Handrails

Koroseal Wall Protection Systems H60W Handrail Installation Instructions

1. Locate and install **Korogard**® Handrail in accordance with architectural drawings and specifications. When required, **Korogard** shop drawings should be used in conjunction with these documents.
2. Lay out the work to be completed, including all component parts, along the base of the wall. Check the material for any damage that may have occurred during shipment and/or handling at the job site.
3. Snap a chalk line at the proper location on the wall to ensure a level installation. Chalk line should be calculated to the center line of the mounting bracket wall fasteners.
4. Place the retainer in the proper position on the chalk line and mark hole locations using the proper bit size for fasteners.
Note: If the aluminum retainer has been supplied in stock lengths, it will be necessary for it to be field-cut. Determine the allowances necessary for door jambs, corner conditions, etc. (see back of sheet) and cut retainer to proper length. Drill 9/32" (7.14mm) holes at I.D. mark on retainer 3" (76.2mm) in from each end and all intermediate locations not to exceed 32" (812.8mm) O.C.
5. Insert tabs on returns and corners into retainers, clamp into place, and secure with manufacturer-provided #8 x 1/2" (12.7mm) sheet metal screws or 1/8" (3.18mm) pop rivets.
6. Assemble retainers. Splice abutting retainer lengths, if any, using manufacturer-provided splices and screws; abut tightly to achieve hairline joints.
7. Mount assembly to wall using 1/4" x 4" (6.35mm x 101.6mm) fastener (not included). Feed fastener through retainer and mounting bracket. Attach and feed through wall. Tighten securely.
Note: Prior to installation of the **Korogard** cover, make sure that all fasteners are secure and properly seated.
8. Install cover. **Carefully locate cover joints so that they are not directly over retainer splices, as this can create improper alignment of adjacent cover lengths.** Measure and cut cover lengths to fit between returns and corners exactly. Use longest practical lengths to minimize number of joints. **Do not align cover joints directly over retainer joints.** Secure cover lengths to retainer by hooking 4" (101.6mm) square cover over retainer top and snapping over retainer bottom, pushing 1-1/2" (38.1mm) round cover down over the top of the retainer, and sliding lengths of accent strip in to retainer slot from one end. Make all joints neat and hairline-tight.
9. If you have any questions during installation, please call your local **Korogard** representative.
Note: If the **Korogard** cover has been supplied in stock lengths, it will be necessary for it to be field-cut. Determine the distance from inside cap to inside cap. It is recommended that the **Korogard** cover be cut slightly oversize to provide proper alignment between the caps.



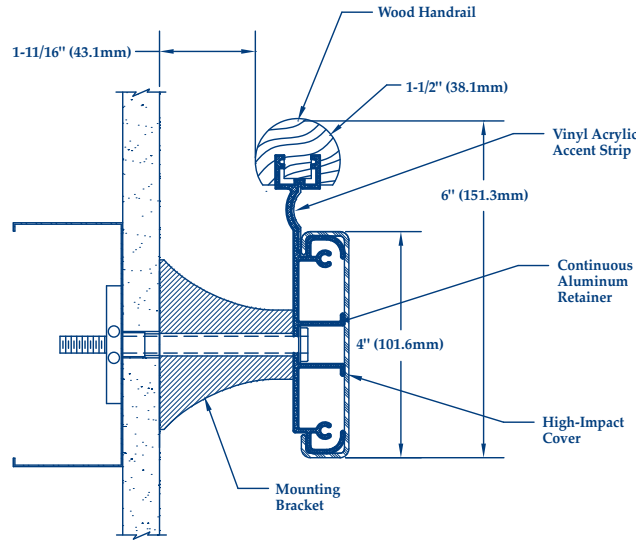
Note: Field measure "Wood Handrail (A614)" once end/corner returns are installed.

Assembly Drawing

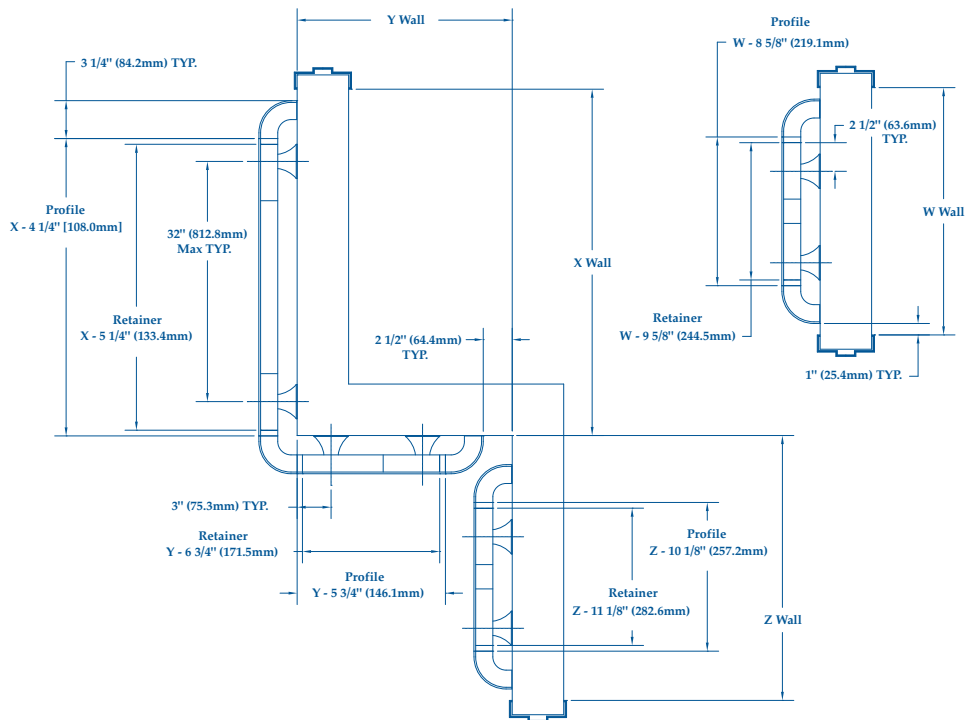
Handrails

Koroseal Wall Protection Systems H60W Handrail Installation Instructions

Installation Dimensions for H60W Handrail



Model H60W



800-628-0449 • www.korogard.com • Division 10 26 00