

Handrails

Koroseal Wall Protection Systems Korogard® H600 & H60W Handrail



H600



H60W

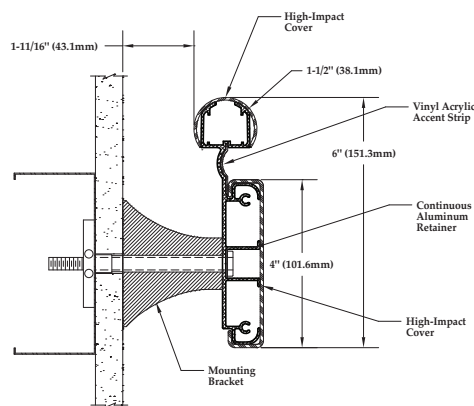
The **Korogard** H600 and H60W Handrails are 6" (152.4mm) rails with full-length vinyl covers and continuous aluminum retainers. With sturdy mounting brackets maintaining wall clearance and stability, the H600 and H60W provide support in medium- to high-impact areas. Components are available in a variety of mix-and-match colors.

The **Korogard** H600 and H60W Handrails conform to current ADA regulations, are backed by a limited five-year warranty, and meet national building code standards. All **Korogard** linear profile covers color-coordinate with a multitude of **Koroseal®** Wallcoverings for a systems approach to wall protection.

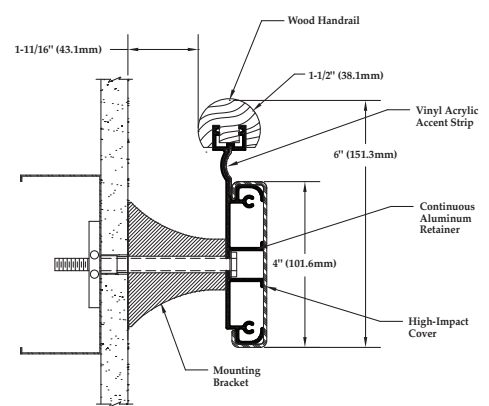
For more information on **Korogard** Handrails or the **Koroseal** Wall Protection System, please call your local **Korogard** distributor or 800-628-0449.

H600/H60W ACCESSORY ITEMS

H621	Standard End Cap (right)
H622	Standard End Cap (left)
H623	90° Corner Cap
H6W1	Standard End Cap (right)
H6W2	Standard End Cap (left)
H6W3	90° Corner Cap



H600



H60W

Handrails

Product Guide Specification

SECTION 10 26 00 HANDRAILS

PART 1 GENERAL

1.01 SECTION INCLUDES

6" (152.4mm) Handrail/Bumper Systems.

1.02 SUBMITTALS

- A. Submit in accordance with Section 01 33 00—Submittals.
- B. Product Data: Submit manufacturer's product data.
- C. Shop Drawings: Submit shop drawings showing components, dimensions, and mounting details.
- D. Samples: Submit for approval 12" (305mm) long sample for each model, color, and finish specified, including end caps and corner units.
- E. Test Reports: Submit manufacturer's test reports and certification indicating compliance with applicable ADA and building code requirements.

1.03 QUALITY ASSURANCE

Comply with ADA and national building code requirements.

1.04 DELIVERY, STORAGE, AND HANDLING

- A. Delivery: Deliver materials to site in manufacturer's original, unopened containers and packaging, with labels clearly identifying product name and manufacturer.
- B. Storage: Store materials in clean, dry location, protected against damage of any kind.
- C. Handling: Protect materials during handling and installation to prevent damage.

PART 2 PRODUCTS

2.01 MANUFACTURER

Koroseal Wall Protection Systems,
A Division of RJF International Corporation.

2.02 HANDRAIL/BUMPER SYSTEMS

Koroseal "Korogard" Model H600/H60W Handrail:
Three-piece component mounted over and to continuous aluminum retainer with mounting brackets maintaining wall clearance. Exposed surfaces shall be free of wrinkling, chipping, discoloration, or other imperfections.

1. Dimensions
 - a. Height: 6" (152.4mm).
 - b. Width of Grip: 1-1/2" (38mm).
 - c. Clear Space from Wall: 1-11/16" (42.7mm).
2. Profiles: High-impact vinyl acrylic extrusion locked in place, face cover nominal 0.078" (2mm) thick. Class A fire rating, when tested in accordance with ASTM E 84. Korowood solid wood handgrip (H60W).
3. Extrusion: Pebble grain finish.
4. Korowood Handgrip: Red Oak: Natural Unfinished, Clear Finished, Medium Stain, and Dark Stain; Maple: Natural Unfinished, Clear Finished, Medium Stain, and Dark Stain. Cherry, Ash, Poplar, and Eucalyptus are also available and can be stained to specification.
5. Retainer: Continuous 6063-T5 aluminum retainer along entire length of Handrail/Bumper, nominal 0.080" (2mm) thick.
6. Ends: Rigid plastic/solid wood wall return unit of color, texture, and finish similar to that of rail.
7. Corners: External corner units of similar material to end cap units. Carry line of Handrail/Bumper continuously around corner unless otherwise indicated on drawings.

PART 3 EXECUTION

3.01 EXAMINATION

Verify by examination that wall surfaces are acceptable to receive the specified Handrail/Bumper Systems. Notify the Architect in writing if wall surfaces are not acceptable. Do not begin installation until unacceptable conditions have been corrected.

3.02 INSTALLATION

- A. Install Handrail/Bumper Systems to wall securely in accordance with manufacturer's written instructions.
- B. Install Handrail/Bumper Systems accurately in location, alignment, and elevation.
- C. Provide horizontal steel stud back-up in drywall stud cavity to accept fasteners.

