

# Koroseal Wall Protection Systems

## BW80 Korowood™ Chair Rail with C400 Crash Rail

### Installation Instructions

**Sheet #1**

**Recommended Installer Qualifications:** Only those parties experienced in working with finished fine wood products should engage in installing **KOROWOOD™** Chair Rail.

**Recommended Installation Equipment:** Radial Arm Saw or Power Miter Box with 12" (304.8mm) sharp carbide-tipped Alternating Tooth Bevel-Positive Hook, 80-100 teeth blade, Power Biscuit Cutter, Tape Measure, Level, Chalk Line, Utility Knife, Drill, Drill Bits, Screwdriver, Sanding Block, Wood Glue, Removable Marker, Cleaning Cloth, and Suitable 1/4" x 5" (6.35mm x 127.0mm) Long Mounting Fasteners.

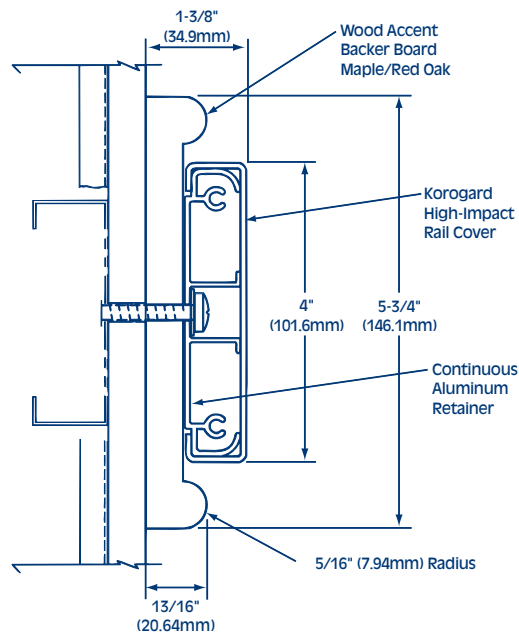
1. Locate and install **KOROWOOD** Chair Rail in accordance with architectural drawings and specifications. When required, **KOROGARD®** shop drawings should be used in conjunction with these documents.
2. Lay out work to be completed, including all component parts, along base of the wall. Check the material for any damage that may have occurred during shipment and/or handling at job site.
3. Snap chalk line at proper location on wall to ensure level installation. Chalk line should be calculated to the bottom of the wood accent and aluminum retainer.

**NOTE:** Chalk line may be visible after installation and may require removal at cleanup.

4. Measure wall and calculate length of wood accent rail equal to wall dimension less 2" .

**NOTE:** Include length of wood end pieces when calculating length.

5. Using a biscuit cutter, set blade for #20 biscuits and cut two slots into end pieces and wood accent rail. Using wood glue (supplied by installer), glue #20 biscuits (supplied by **KOROGARD**) in ends and trial-fit adjoining piece to assure proper fit. If satisfactory, assure that surfaces to be glued are clean and unfinished (sand if required) and glue adjoining parts together, carefully aligning parts. Allow glue to set and wipe any excess from joint with water-moistened cloth. Where possible, join parts prior to mounting to substrate.



**MODEL BW80**

# Koroseal Wall Protection Systems

## BW80 Korowood™ Chair Rail with C400 Crash Rail

### Installation Instructions

---

6. Measure inside surface where 4" Crash Rail seats and subtract 4". Use this dimension as length to cut aluminum retainer.  
**NOTE: If the aluminum retainer has been supplied in stock lengths, it will be necessary for it to be cut. Determine the allowance necessary for door jambs, corner conditions, etc. (see sheet #2) and cut retainer to proper length. Drill proper size holes at center of retainer 3" (76.2mm) in from each end and all intermediate locations not to exceed 32" (812.8mm) O.C. Transfer hole location to wood accent rail and then transfer hole location to wall.**
7. Attach connector plates to ends of retainer using 1" (25.4mm) pan head screws.
8. Attach end caps with flat washers and machine nuts as required.
9. Mount assembly to wall using proper fasteners (not included). Tighten securely.  
**NOTE: Prior to installation of the KOROGARD® cover, make sure all fasteners are secured and properly seated.**
10. Hold the **KOROGARD** cover at an angle and place the top of the cover behind the top of the retainer. Make sure the cover is placed in the proper position and snap-fit the **KOROGARD** cover onto the aluminum retainer by placing hands downward and applying pressure with the heel of each hand to force the cover onto the retainer. Continue along until the complete length of the cover is securely installed.  
**NOTE: If the KOROGARD cover has been supplied in stock lengths, it will be necessary for it to be field-cut. Determine the distance from inside end cap to inside end cap. It is recommended that the KOROGARD® cover be cut slightly oversize to provide proper alignment between the end caps.**
11. Clean **KOROWOOD** Chair Rail using water-moistened cloth. Use **KOROWOOD** Touch-Up Kit provided to repair stained wood where minor damages or blemishes may have occurred during installation. Touch-Up Kits are not provided for "clear varnish" finished Chair Rails. Use MINWAX brand "Satin Sheen Polyurethane" or equal to overcoat repairs to all finishes.
12. If there are any questions during installation, please call your local **KOROGARD** representative.



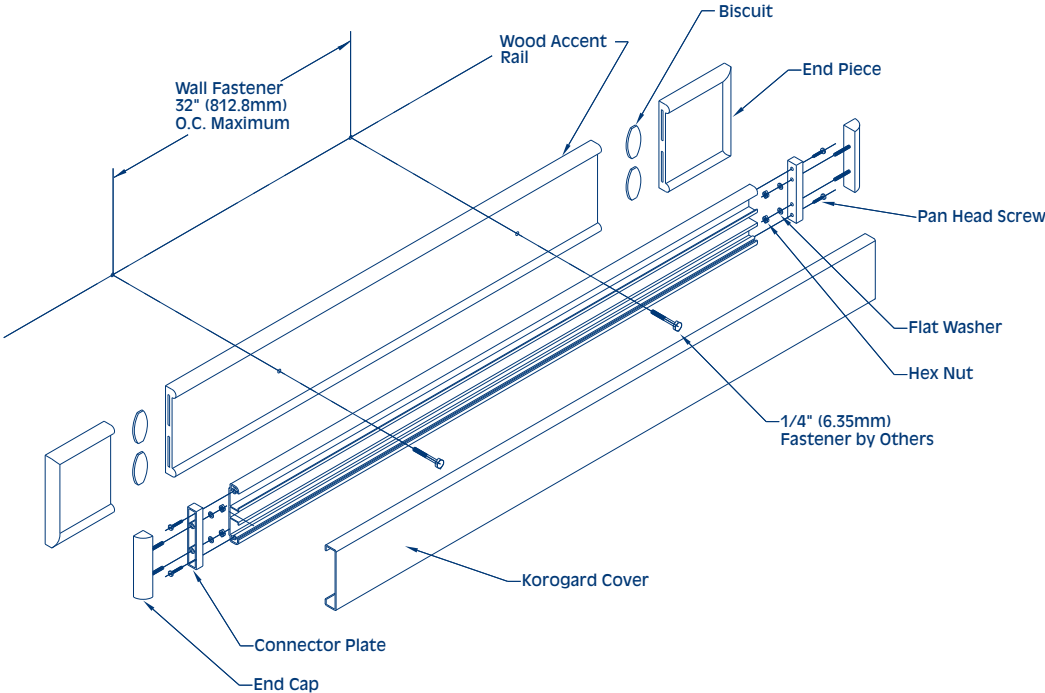
800-628-0449 • [www.korogard.com](http://www.korogard.com) • Division 10 26 00

# Koroseal Wall Protection Systems

## BW80 Korowood™ Chair Rail with C400 Crash Rail

### Installation Instructions

Sheet #2

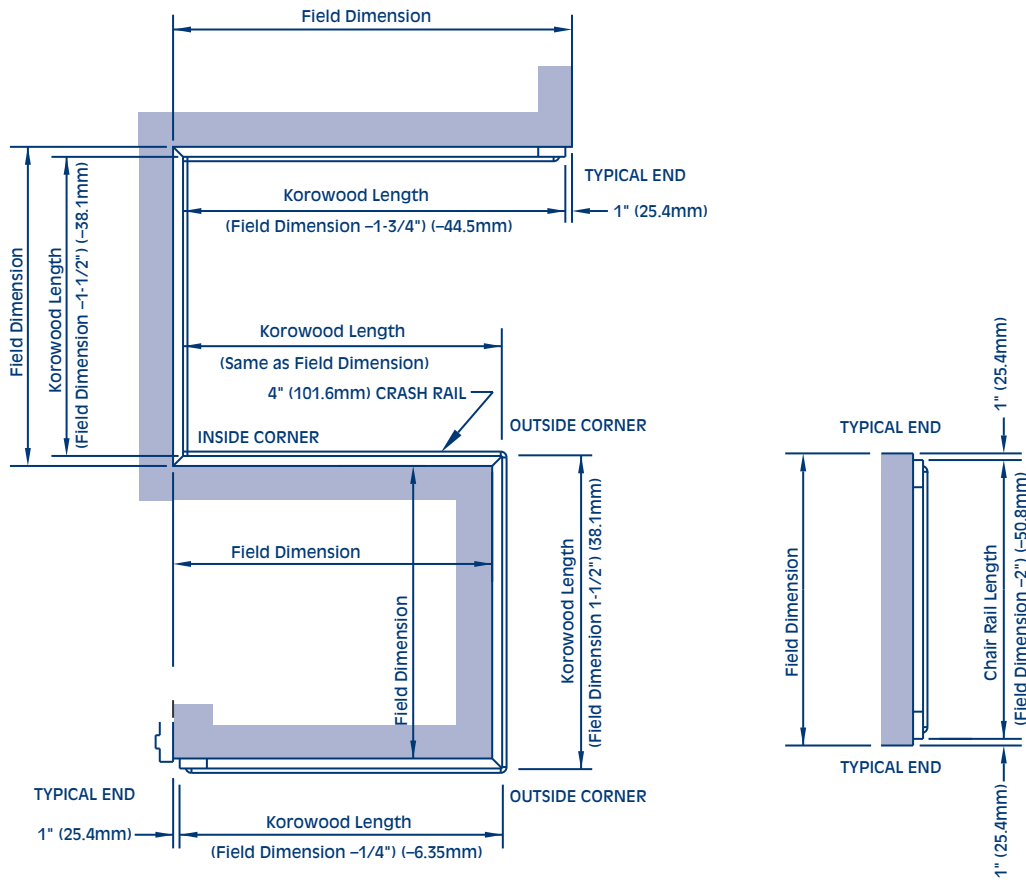


**ASSEMBLY DRAWING**

# Koroseal Wall Protection Systems

## BW80 Korowood™ Chair Rail with C400 Crash Rail

### Installation Instructions



**KOROGARD®**  
WALL PROTECTION SYSTEMS

800-628-0449 • [www.korogard.com](http://www.korogard.com) • Division 10 26 00