

Koroseal Wall Protection Systems

Korowood™ Handrail (HW7S, HW7P)

Installation Instructions

Recommended Installer Qualifications: Only those parties experienced in working with finished fine wood products should engage in installing **KOROWOOD™** Handrail.

Recommended Installation Equipment: Radial Arm Saw or Power Miter Box with 12" (304.8mm) sharp carbide-tipped Alternating Tooth Bevel-Positive Hook 80-100 teeth blade, Tape Measure, Level, Chalk Line, Utility Knife, Drill, Drill Bits, Screwdriver, Sanding Block, Wood Glue, Removable Marker, Cleaning Cloth, and Suitable 1/4" x 3" (6.4mm x 76.2mm) Long Mounting Fasteners.

1. Locate and install **KOROWOOD** Handrail in accordance with architectural drawings and specifications. When required, **KOROSEAL®** shop drawings should be used in conjunction with these documents.
2. Lay out work to be completed, including all component parts, along base of substrate (wall). Check material for any damage that may have occurred during shipment and/or handling at job site.
3. Snap chalk line at proper location on substrate to ensure level installation. Chalk line should be calculated to center line of the bottom hole in wall bracket anchor plates. This will be 4-5/8" (117.48mm) below specified top-of-Handrail height. If structural cross-blocking for Handrail installation has not been incorporated within the wall construction, locate and mark vertical stud locations.

NOTE: Chalk line will be visible after installation and must be removed at cleanup.

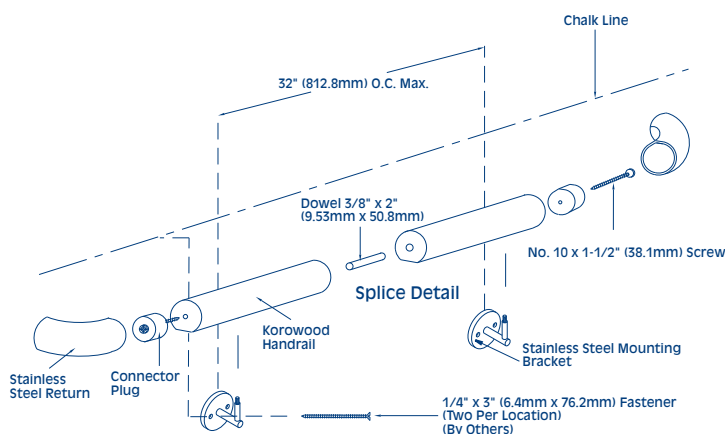
4. Determine actual length of rail section required, making the necessary allowances for doorjamb, corner conditions, etc.
5. Sub-assemble rail section accordingly, cutting and/or splicing **KOROWOOD** rail and attaching returns/corners to achieve proper length. Splice lengths of wood rail as necessary using drilling guide, supplied dowels, wood glue (by others), and supplied wood plugs. Center and attach wood plugs to ends of wood rail using drilling guide, wood glue (by others), and supplied No.10 x 1-1/2" (38.1mm) screws. Apply construction adhesive (OSI Brand's PL200 or equal, by others) around circumference of plugs, lay flat bottom of wood rail on flat working surface, and insert plug end into straight end of return/corner. Orient return/corner by twisting accordingly so as to lay flat on working surface in proper direction.
6. If anchoring to vertical studding, place the rail section in the proper right-to-left position on the wall chalk line and transfer (via pencil mark) location of stud centers onto rail. Handrail shall be anchored to wall structure at no greater than 32" (812.8mm) centers. Outermost anchor locations should be as close to return/corner as possible.

NOTE: If structural cross-blocking is provided, locate outermost anchors 6"-8" (152.4mm-203.2mm) from ends/corners and space anchor locations inward from each end at no greater than 32" (812.8mm) centers.

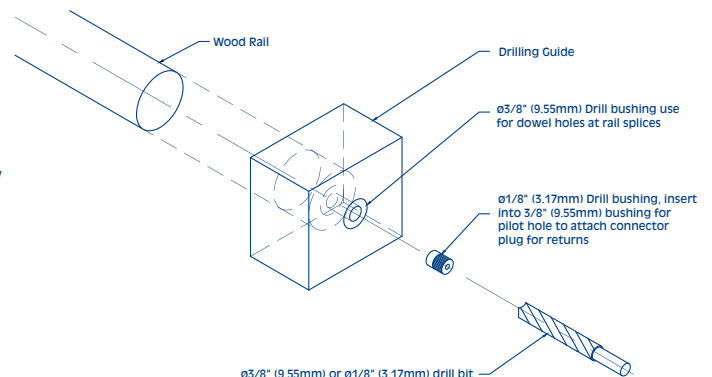
7. To attach Wall Brackets to Handrail, use drilling guide to drill 3/16" x 1-1/8" (4.76mm x 28.58mm) deep pilot holes in bottom of rail at determined locations, ensuring that holes are perpendicular to the rail's linear axis. Place anchor plate covers onto Brackets and screw Brackets into bottom of rail.
8. Mount Handrail section to wall, anchoring through wall bracket anchor plates using three (3) appropriate type 1/4" x 3" (6.35mm x 76.2mm) long fasteners (by others) at each location, ensuring that the bottom fastener is firmly secured to the structural wall member. The two top fasteners may be secured to the wallboard only, if necessary. Install fasteners per the manufacturer's recommendations.

NOTE: We recommend using toggle bolts or equal when anchoring to metal studding or wallboard, lag screws when into wood, and Tapcons or equal when into concrete/CMU. (These wall fasteners are to be supplied by others.)

9. If you have any questions during installation, please contact your local **KOROGARD®** representative.

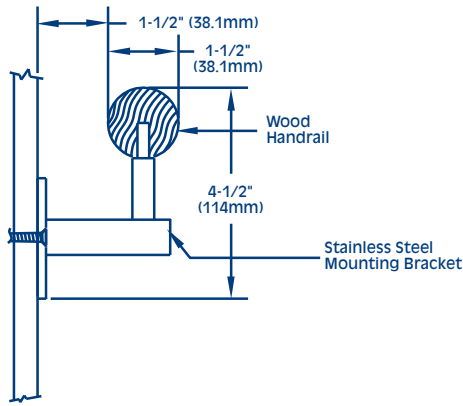


ASSEMBLY DRAWING

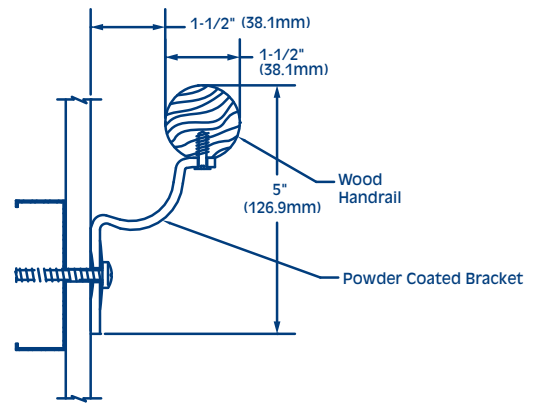


ASSEMBLY DRAWING

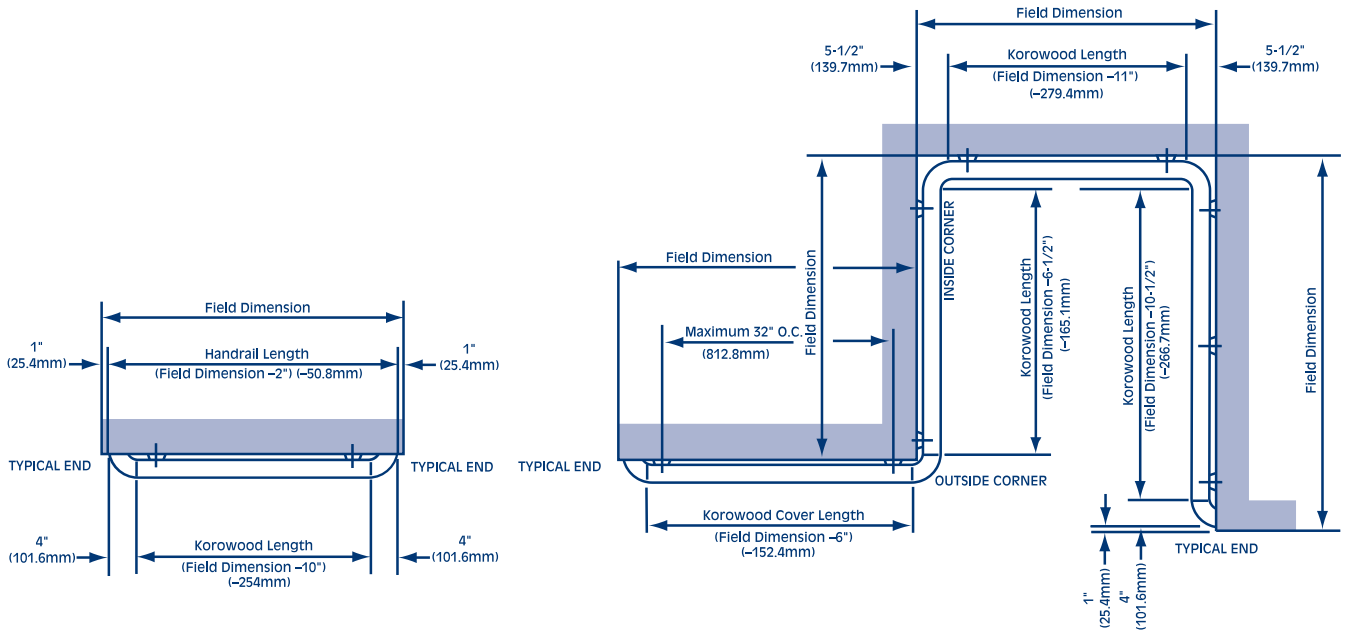
Installation Dimensions for HW7S/HW7P Handrail



MODEL HW7S



MODEL HW7P



TYPICAL STRAIGHT LENGTH

PLAN VIEW



KOROGARD®
WALL PROTECTION SYSTEMS

800-628-0449 • www.korogard.com • Division 10 26 00