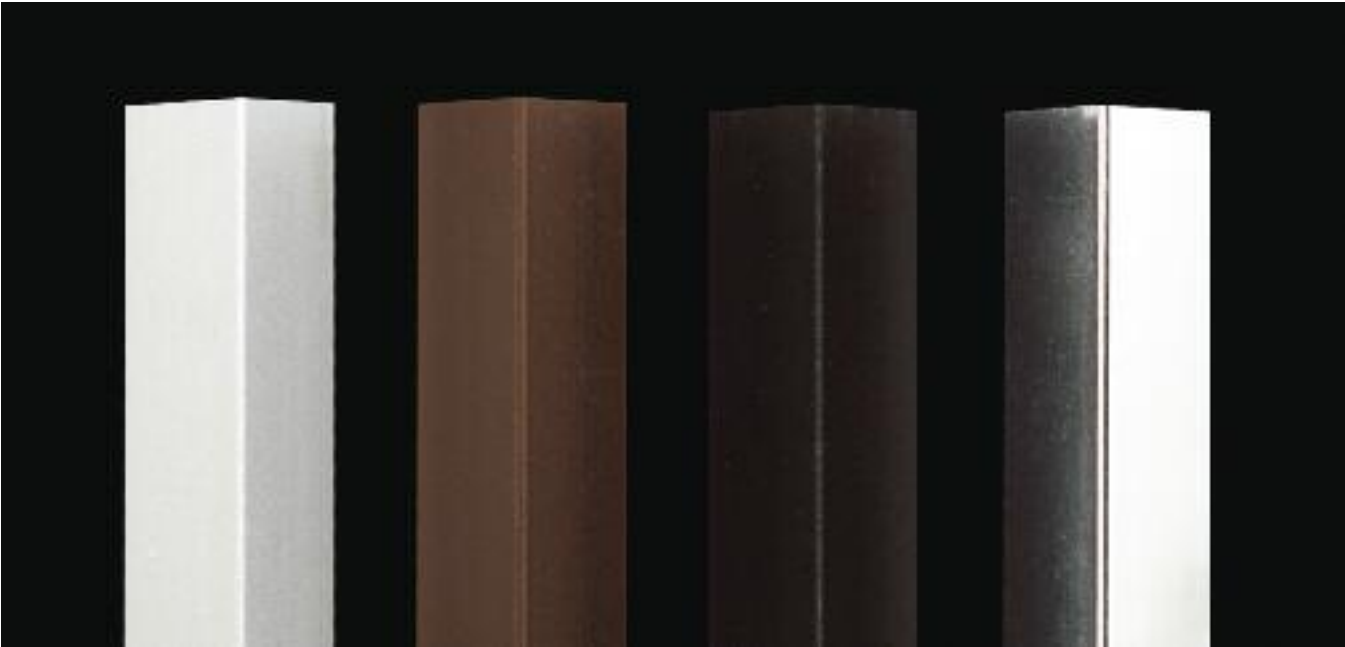


Koroseal Wall Protection Systems

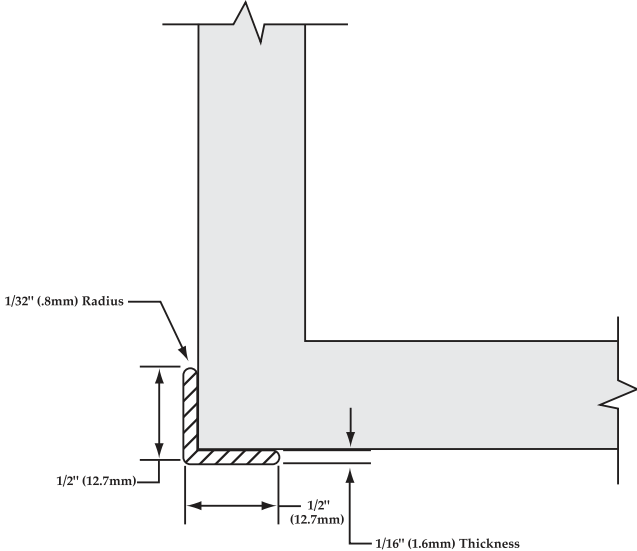
Korogard® Anodized Aluminum Corner Guards



KOROGARD Anodized Aluminum Corner Guards are a sleek and attractive option for corner protection. Easily installed, these guards provide support for low- to medium-impact areas. Anodized Aluminum Corner Guards are offered in satin, bronze, black, and silver brite and in 4', 6', 8', and 12' lengths. All colors are available with a standard 90° angle and measure 1/2" x 1/2" (12.7mm x 12.7mm).

KOROGARD Anodized Aluminum Corner Guards are backed by a limited five-year warranty. All corner guards are Class I/A fire rated and meet national building code standards. All **KOROGARD** protective products color-coordinate with a multitude of **KOROSEAL**® and **VICRTEX**® Wallcoverings for a systems approach to wall protection.

For more information on **KOROGARD** Anodized Aluminum Corner Guards or the **KOROSEAL** Wall Protection System, call your local **KOROGARD** distributor or 800-628-0449.



Anodized Aluminum Corner Guards

Product Guide Specification

SECTION 10 26 00 CORNER GUARDS

PART 1 GENERAL

1.01 SECTION INCLUDES

1/2" x 1/2" (12.7mm x 12.7mm) Anodized Aluminum Corner Guards.

1.02 SUBMITTALS

- A. Submit in accordance with Section 01 33 00—Submittals.
- B. Product Data: Submit manufacturer's product data.
- C. Samples: Submit 12" (304.8mm) long sample of each pattern specified for Architect's approval.

1.03 QUALITY ASSURANCE

Comply with specified project requirements regarding fit and finish.

1.04 DELIVERY, STORAGE, AND HANDLING

- A. Delivery: Deliver materials to site in manufacturer's original, unopened containers and packaging with labels clearly indicating product name and manufacturer.
- B. Storage: Store materials indoors in a clean, dry area protected from damage and in accordance with manufacturer's instructions.
- C. Handling: Protect materials during handling and installation to prevent damage.

PART 2 PRODUCTS

2.01 MANUFACTURER

Koroseal Wall Protection Systems,
A Division of RJF International Corporation.

2.02 CORNER GUARD

Koroseal "Korogard" Series ACG0, ACG1, ACG2, and ACG3 Anodized Aluminum Corner Guards adhered to substrate corner with glue. Exposed surfaces shall be free of discoloration, or other imperfections.

1. Dimensions:

- a. Leg length: 1/2" (12.7mm)—ACG.
- b. Angle: 90°.

2. Profile: Low-impact aluminum anodized in Satin, Bronze, Black, and Silver Brite.

PART 3 EXECUTION

3.01 EXAMINATION

Verify by examination that wall surfaces are acceptable to receive the specified guard systems. Notify the Architect in writing if wall surfaces are not acceptable. Do not begin installation until unacceptable conditions have been corrected.

3.02 INSTALLATION

- A. Install Corner Guards to walls securely in accordance with manufacturer's written instructions.
- B. Install Corner Guards accurately in location, alignment, and elevation.



KOROGARD®
WALL PROTECTION SYSTEMS

800-628-0449 • www.korogard.com • Division 10 26 00