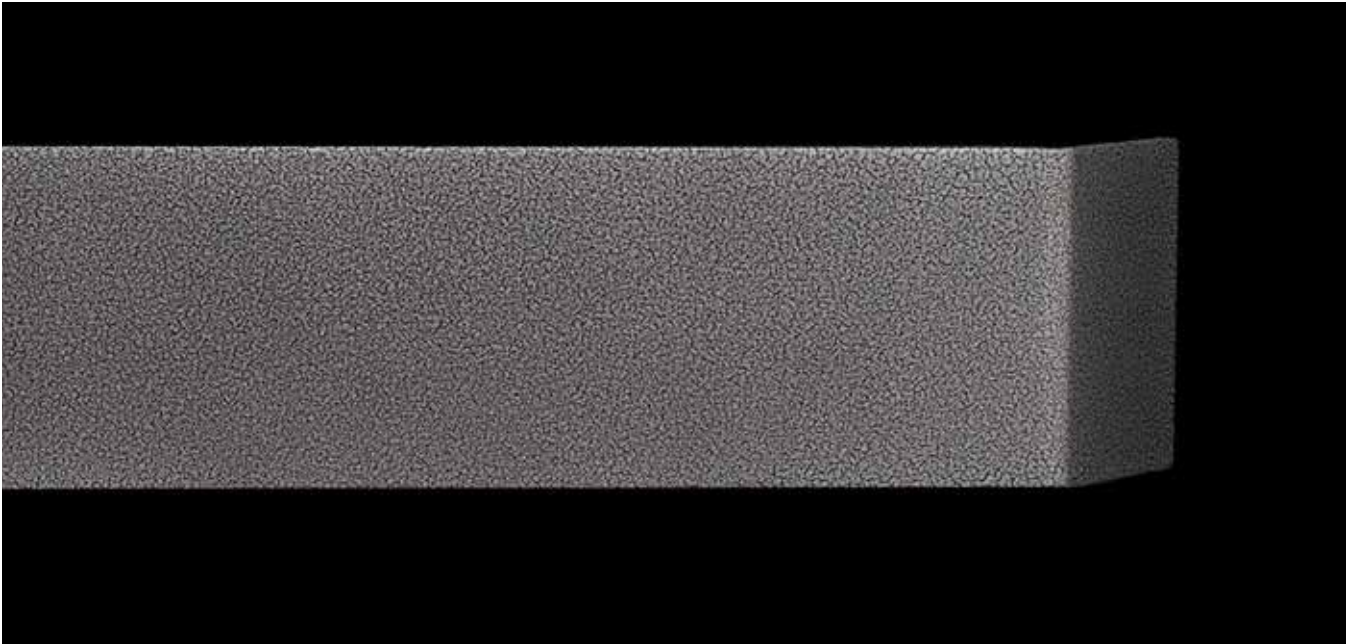


Koroseal Wall Protection Systems

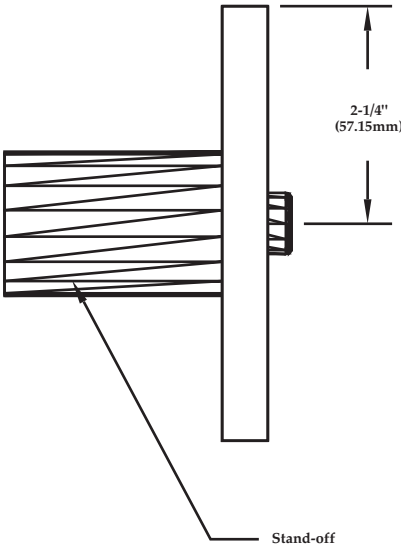
Korogard® CS45 Crash Rail



Constructed from sturdy aluminum, the **KOROGARD** CS45 Crash Rail is 4-1/2" (114.3mm) tall and available in three powder coated textures: Black Texture, Silver Texture, and Silver Stratum. Button caps are available in a wide variety of colors and cover the mounting hardware on the surface of the main rail. The CS45 is also made to order to fit any specific project needs that you may have.

The **KOROGARD** CS45 Crash Rail is backed by a limited five-year warranty. All Crash Rails meet national building code standards.

For more information on **KOROGARD** Crash Rails or the **KOROSEAL** Wall Protection System, please call your local **KOROGARD** distributor or 800-628-0449.



CS45

Product Guide Specification

SECTION 10 26 00 CRASH RAILS

PART 1 GENERAL

1.01 SUMMARY

Section Includes:
Bumper Guard and Crash Rail System.

1.02 REFERENCES

- A. American Society for Testing and Materials (ASTM).
ASTM B 221-93 Standard Specification for aluminum and aluminum-alloy extruded bars, rods, wire, shapes, and tubes.
- B. Aluminum Association (AA).

1.03 SUBMITTALS

- Comply with Section 01 33 00—Submittals.
1. Product data indicating compliance with specified requirements.
 2. Shop drawings showing locations, extent, and installation details.
 3. Samples for selection and verification of product pattern and finish.
 4. Sample of each product pattern and finish specified.

1.04 QUALITY ASSURANCE

- A. Manufacturer: A firm regularly engaged in the manufacturing of wall protection system components similar to those specified.
- B. Installer: Engage a skilled installer with no less than three years of documented experience installing similar types of products to the extent and complexity of those required for the project.
- C. Code Compliance: Provide product that conforms to the necessary requirements of all applicable codes.
- D. Single Source Responsibility: Provide all product system components from a single source.

1.05 PRODUCT DELIVERY, STORAGE, AND HANDLING

- A. Deliver all products to the job site in the supplier's undamaged packaging clearly labeled and properly identified.
- B. Store materials in a clean, dry, protected area where temperature and humidity remain stable and within 40°F to 100°F (4°C to 38°C).
- C. Materials must be stored flat.

1.06 PROJECT CONDITIONS

- A. Maintain a constant temperature range of 65°F to 85°F (18°C to 29°C) with stable relative humidity, for at least 48 hours prior to, throughout the installation period and maintained consistently thereafter.
- B. Installation locations must be enclosed, weatherproofed, and climate controlled prior to commencing installation.

1.07 WARRANTY

Submit supplier's written warranty against defects in material and workmanship.

1.08 MAINTENANCE

Submit supplier's recommended instructions including precautions against cleaning materials and methods that may be detrimental to product finishes and performance.

PART 2 PRODUCTS

2.01 MANUFACTURER

Koroseal Wall Protection Systems,
A Division of RJF International Corporation.

2.02 MATERIALS

Aluminum Crash Rail
Koroseal "Korogard" Model CS45 Aluminum
Crash Rail mounted on 2" (50.8mm) diameter by 2-1/4" (57.15mm) long aluminum stand-offs.
a. Height: 4-1/2" (114mm).
b. Thickness: 1/4" (6mm).
c. Face: Flat.
d. Material: 16063-T5 Aluminum.
e. Rail and Stand-Off Finish: Select from manufacturer's available powder coat finishes (Black) (Silver) (Silver Stratum).

PART 3 EXECUTION

3.01 EXAMINATION

- A. Examine product, substrates and installation conditions.
- B. Notify the contractor and architect in writing of any conditions detrimental to the proper and timely completion of the installation.

3.02 PREPARATION

Surface Preparation: Prior to installation, clean surface to remove dirt, debris and loose particles. Perform additional preparation procedures as required per the manufacturer's instructions.

3.03 INSTALLATION

- A. Install the work of this section in strict accordance with manufacturer's written instructions.
- B. If problems occur, stop the installation and contact the local decorative wall panel representative before proceeding.

3.04 CLEAN UP COMPLETION

Upon completion of the work, remove excess materials, debris and rubbish resulting from the installation and leave the area in a clean and orderly condition.



KOROGARD[®]
WALL PROTECTION SYSTEMS

800-628-0449 • www.korogard.com • Division 10 26 00